

# HALOPAR 16 35 W 230 V 35° GU10

---

OSRAM HALOPAR 16 GU10/GZ10 | Halogen lamps with parabolic reflector PAR16, with GU10/GZ10 base



- General illumination
- Shops
- Restaurants, hotels and similar prestigious applications

## Product benefits

---

- Brilliant accent light
- With whole glass reflector for brilliant lighting effects
- Approved for use in open luminaires (to IEC 60598-1)
- No transformer required
- UV filter
- Innovative bulb pinch technology for the burner
- Complies with IEC 60432-2 thanks to integrated fuse function

## Product features

---

- Average life: 2,000 h
- 100 % dimmable
- Color rendering index  $R_a$ : 100
- Base: GU10, GZ10



# Technical data

---

## Electrical data

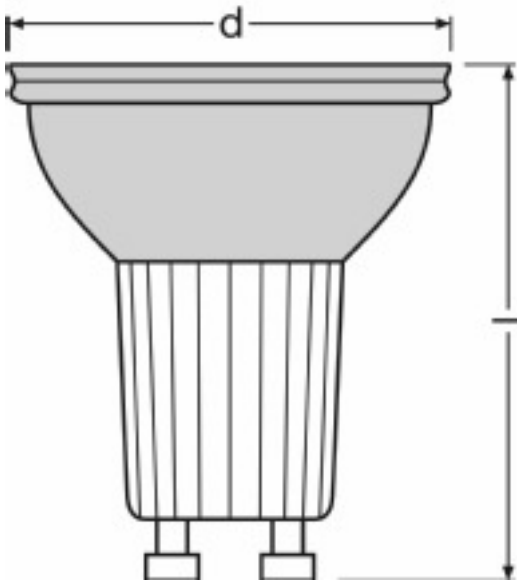
Rated wattage	35 W
Nominal wattage	35 W
Nominal voltage	230 V
Power factor $\lambda$	1.00

## Light technical data

Light color as per EN 12464-1	Warm White
Luminous intensity	570 cd
Beam angle	35 °
Color temperature	2700 K
Color rendering index Ra	100
Starting time	0.0 s
Warm-up time (60 %)	0 s
Lumen main.fact.at end of nom.life time	0.70

## Dimensions & weight

Length	55.0 mm
Overall length	53.0 mm
Diameter	51.0 mm
Outer bulb	PAR51



Product line drawing

#### Colors & materials

Lamp mercury content	0.0 mg
Mercury-free	Yes

#### Lifespan

Nominal lamp life time	2000 h
Rated lamp life time	2000 h
Number of switching cycles	1000000 <sup>1)</sup>

<sup>1)</sup> At 1 min on / 3 min off

#### Additional product data

Base (standard designation)	GU10
Footnote used only for product	Not suitable for outdoor use or damp conditions