

Technical data:

Lamp wattage (nominal value):	35 W
Lamp voltage:	12 V
Beam angle:	36°
Luminous intensity:	1200 cd
Colour temperature:	2950 K
Chromaticity coordinate x:	0.441
Chromaticity coordinate y:	0.406
Colour rendering:	100
Average life (nominal value):	5000 h
Diameter:	50,7 mm
Length L:	45,2 mm max.
Reflectorcolor:	clear
Reflectorcoating:	dichroic
Filament:	c-8
Base:	GU5.3
Reliable burning position:	u360
Packing unit (pcs.):	50
For open fixtures:	Yes
Closed:	Yes
Dimmable:	Yes
UV-P:	Yes
ANSI code:	FMW/CG
ILCOS:	HRGS/C-35-12-GU5.3-51/36



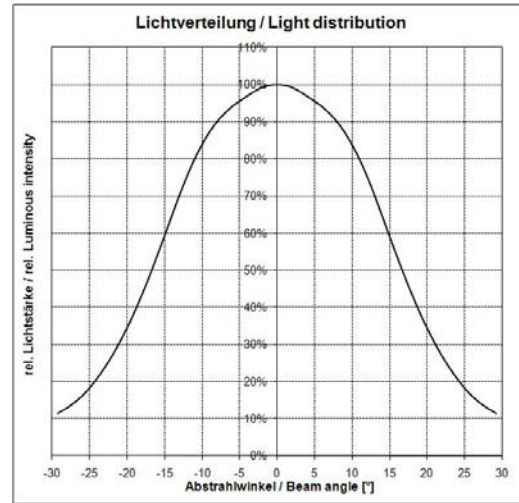
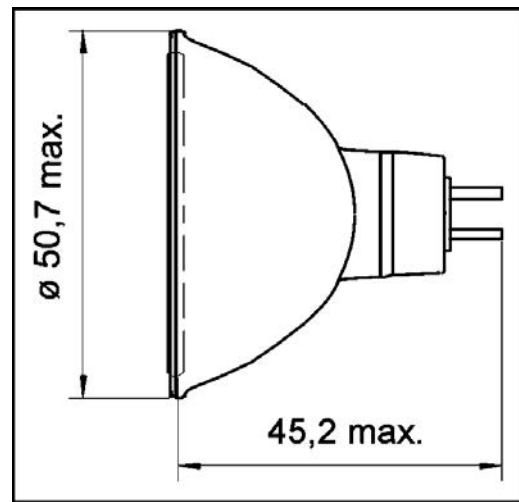
Advantages:

- Professional accent lighting through evenly distributed illumination
- 5.000 hours average lifetime
- High-quality titanium oxide coating
- Designer reflector
- Flawless geometry of reflector surface
- Dimmable
- UV protection (UV-P)

Application:

Application in representative areas, e.g.:

- Office and commercial areas
- Restaurants
- Museums and galleries
- Shop design and interior decoration
- Private areas



Ø [m]	H [m]	E [lx]
0,65	1	1200
1,30	2	300
1,95	3	133
2,60	4	75

Within the scope of the corresponding standards, variations of the declared values and tolerances might occur without prior notice.