

# NAV-T 250 W E40

---

VIALOX NAV-T | High-pressure sodium vapor lamps



- Industrial installations
- Streets
- Tunnels, underpasses
- Car parks, courtyards
- Parks and gardens
- Buildings, monuments, bridges

---

## Product features

---

- Lamp survival factor:  $\geq 95\%$  after 12,000 hours burning time (for  $70\text{ W} \leq P \leq 400\text{ W}$ )



# Technical data

---

## Electrical data

Nominal wattage	250 W
PFC capacitor at 50 Hz	32 $\mu$ F <sup>1)</sup>
Rated wattage	254.8 W
Construction current	3 A

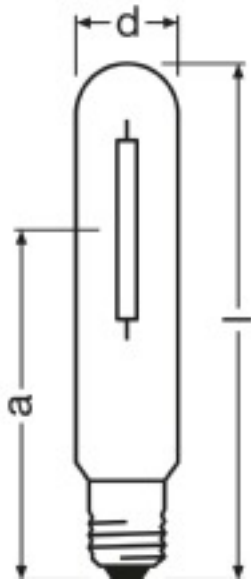
<sup>1)</sup> At rated voltage and  $\cos \varphi \geq 0.9$

## Light technical data

Nominal luminous flux	28000 lm
Color rendering group	4
Rated luminous flux	28000 lm
Color temperature	2000 K
Color rendering index Ra	29
Luminance	330 cd/cm <sup>2</sup>
Rated LLMF at 2,000 h	0.95
Rated LLMF at 4,000 h	0.93
Rated LLMF at 6,000 h	0.95
Rated LLMF at 8,000 h	0.94
Rated LLMF at 12,000 h	0.92
Rated LLMF at 16,000 h	0.91
Rated LLMF at 20,000 h	0.89

## Dimensions & weight

Diameter	47.0 mm
Length	257.0 mm
Light center length (LCL)	158.0 mm



*Product line drawing with letters*



E40  
IEC 7004-24  
DIN 49625

*Base*

### Colors & materials

Lamp mercury content	20.4 mg
Mercury-free	No

### Temperatures

Maximum permitted outer bulb temperature	400 °C
Maximum permitted base edge temperature	250 °C

### Lifespan

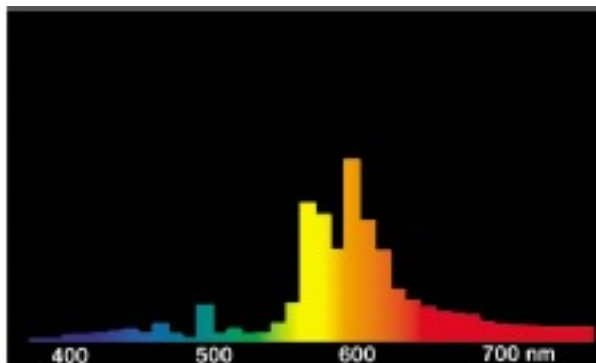
Rated lamp survival factor at 2,000 h	0.99
Rated lamp survival factor at 4,000 h	0.98
Rated lamp survival factor at 6,000 h	0.97
Rated lamp survival factor at 8,000 h	0.96
Rated lamp survival factor at 12,000 h	0.92
Rated lamp survival factor at 16,000 h	0.84

## Lifespan

Rated lamp survival factor at 20,000 h	0.65
Operation mode LLMF/LSF	50 Hz

## Additional product data

Base (standard designation)	E40
Design / version	Clear



VIALOX®  
NAV® 4Y®  
NAV®  
NAV® SUPER

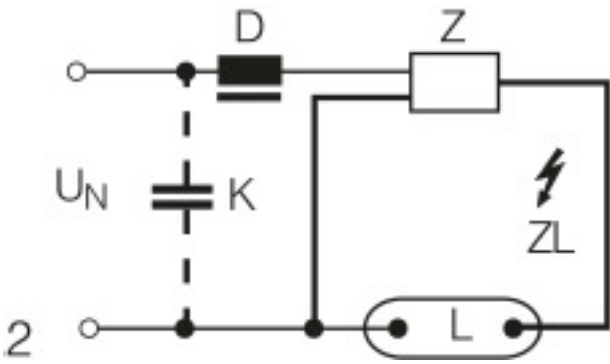
*Spectral power distribution*

## Capabilities

Burning position	Any
------------------	-----

## Country specific categorizations

ILCOS	ST-250/21/4-H-E40-47/257
-------	--------------------------



---

*Circuit diagram*

## Logistical Data

Product code	Packaging unit (Pieces/Unit)	Dimensions (height x width x length)	Gross weight	Volume
4008321070241	Sleeves 1	51 mm x 51 mm x 325 mm	209.00 g	0.85 dm <sup>3</sup>
4008321070258	Shipping carton box 12	223 mm x 347 mm x 271 mm	2515.00 g	20.97 dm <sup>3</sup>
4050300015675	Sleeves 1	56 mm x 51 mm x 325 mm	202.00 g	0.93 dm <sup>3</sup>
4050300214009	Shipping carton box 12	225 mm x 350 mm x 270 mm	2815.00 g	21.26 dm <sup>3</sup>