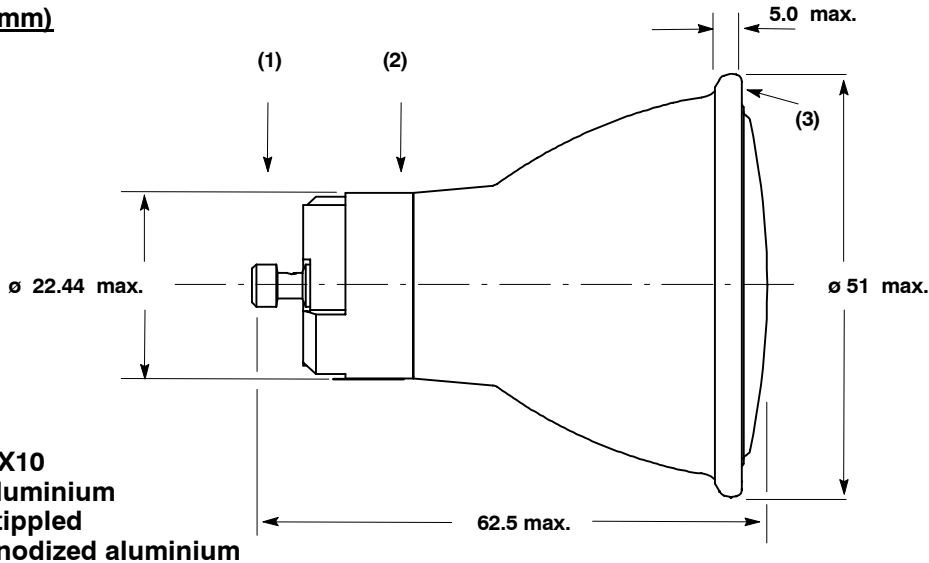


DIMENSIONS (mm)



Base type : GX10
 Reflector : Aluminium
 Lens : Stippled
 Ring : Anodized aluminium



ELECTRICAL DATA:(1)	Operation on 20W			Operation on 22W		
	NOM.	MIN.	MAX.	NOM.	MIN.	MAX.
Lamp Wattage (W) :	20			22		
Lamp Voltage (V) :	100	85	115	100	85	115
Lamp Current (A) :	0.20			0.22		

PHOTOMETRIC DATA :

Correlated color temperature (k) :	3000	3000
Colour Rendering Index (class) :	80 (1B)	85 (1B)
Specific Effective UV-power (mW/klm) :	<0.3	<0.3

TYPE DESCRIPTION	BEAM ANGLE (degrees)	LUMINOUS INTENSITY (Cd)	
FLOOD	24°	3200	3500
WIDE FLOOD	38°	1850	2000
VERY WIDE FLOOD	60°	920	1000

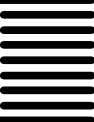
OPERATING CONDITIONS:

	NOM.	MIN.	MAX.
Burning Position :	Universal		
Fixture Type :	open		
Ballast type :	20W/22W electronic metal halide		
Base contact temperature (°C)(1) :			250
Base rim temperature (°C)(2) :			320
Reflector rim temperature (°C)(3) :			240
Arc tube Pinch temperature (°C) :			380

LAMP LIFE:

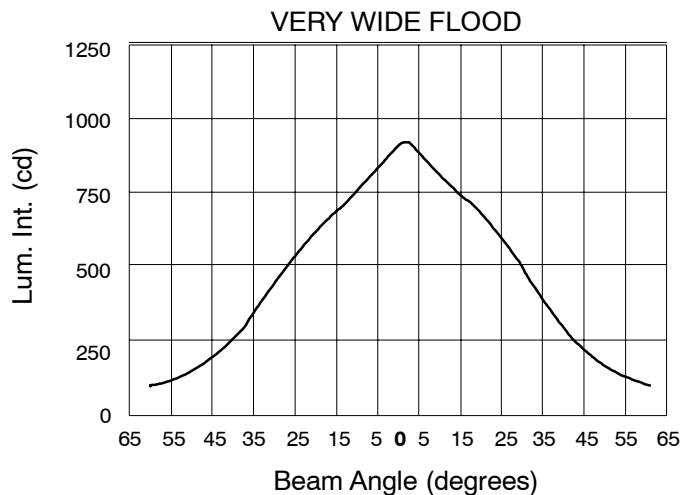
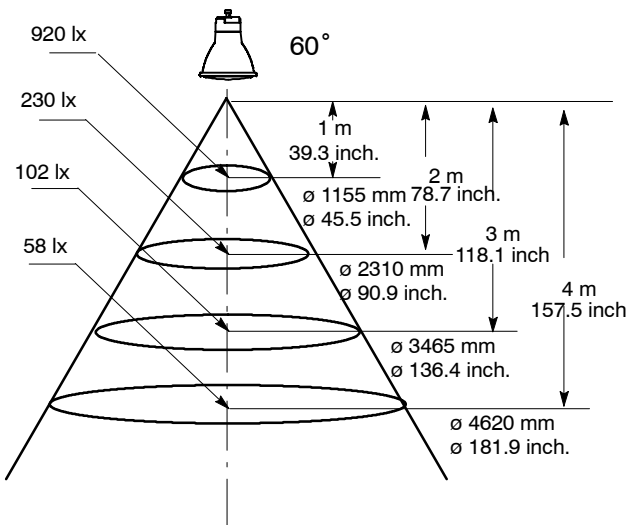
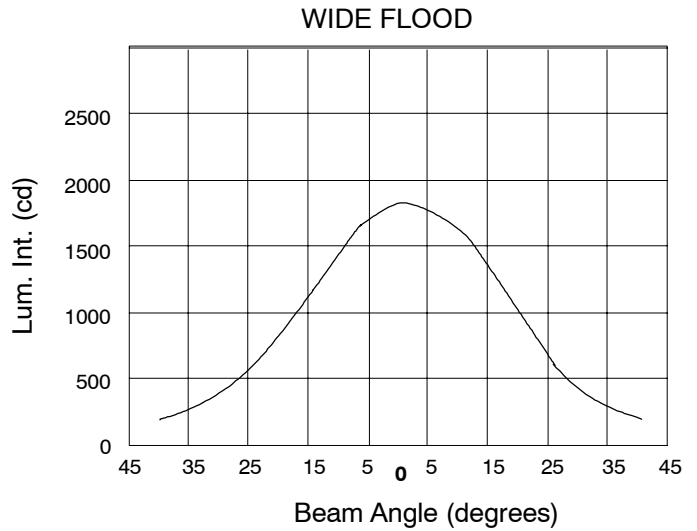
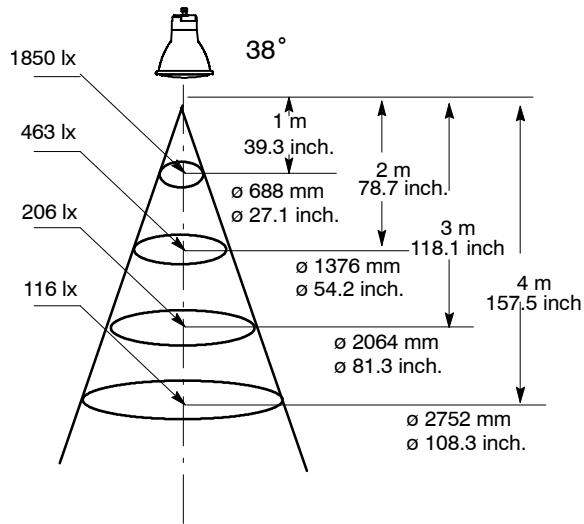
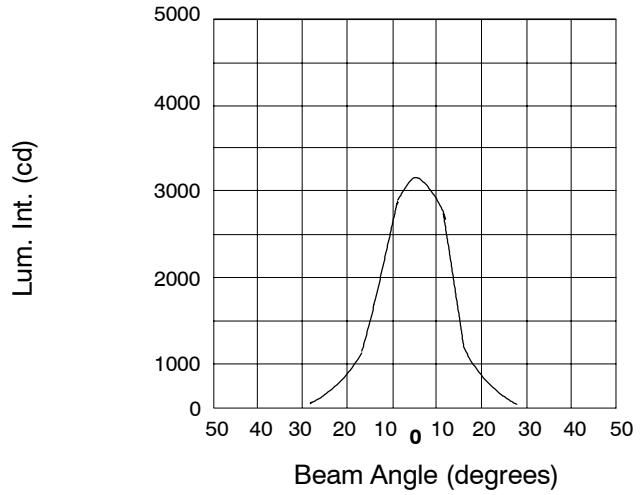
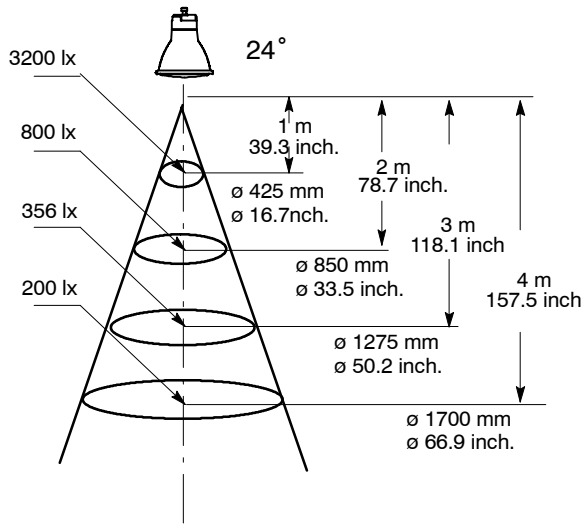
Initial claim average life (h) :	6000
Designed average life (h) :	9000

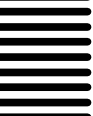
ATTENTION: Lamps comply with the requirements of IEC publication 62035.
 Lamps should not be operated with a broken or absent reflector or lens.



20 Watt

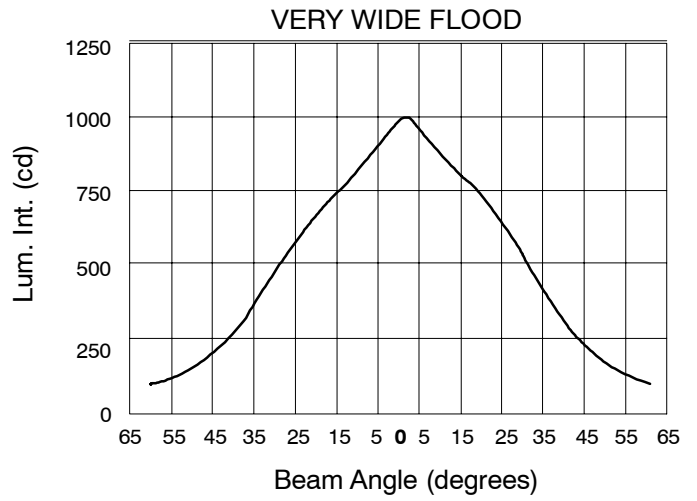
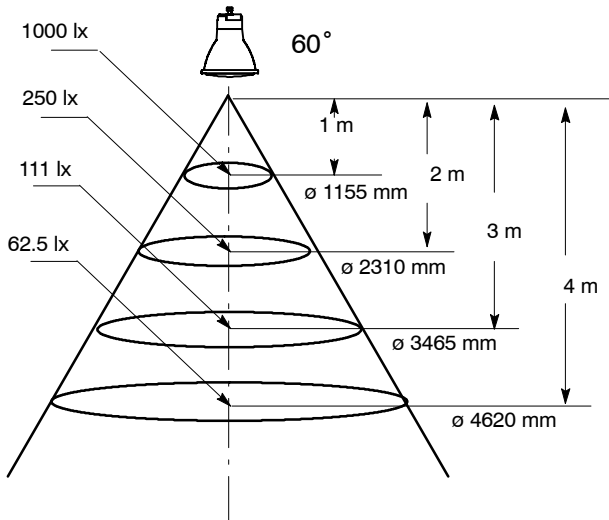
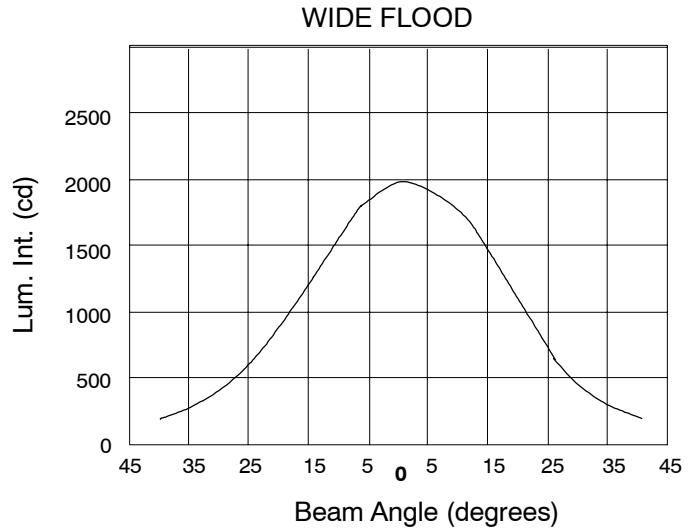
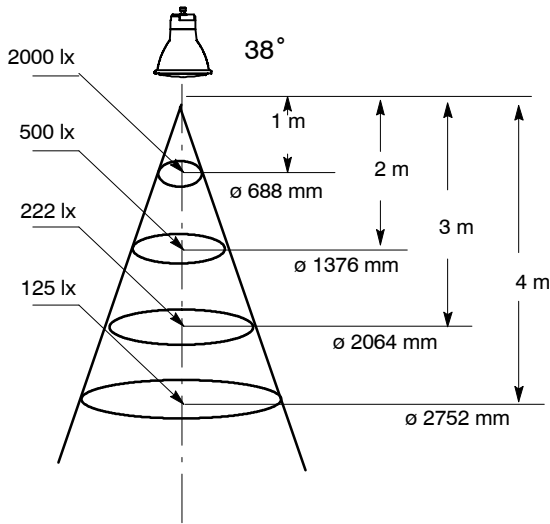
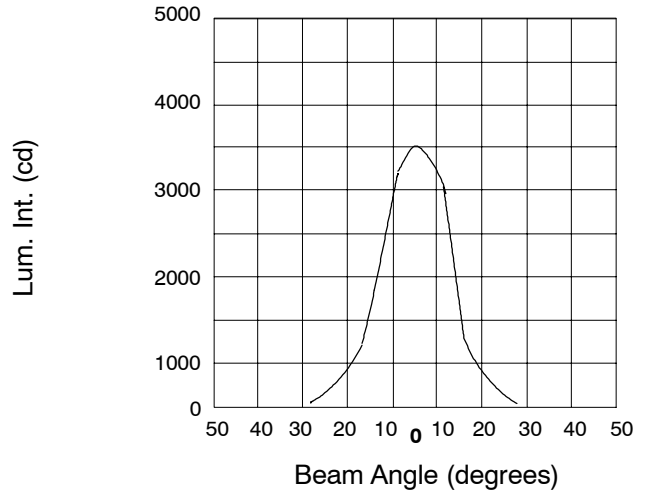
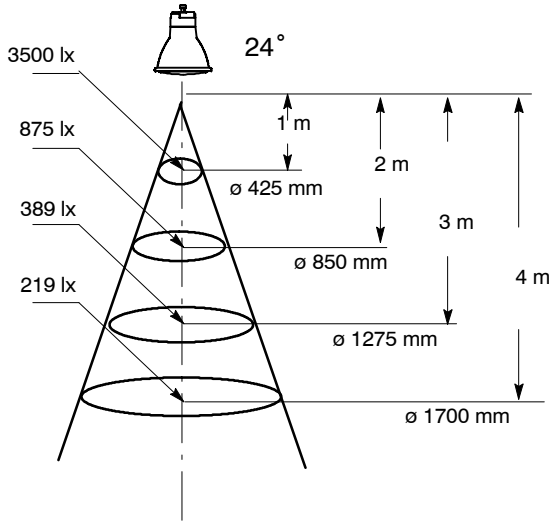
FLOOD



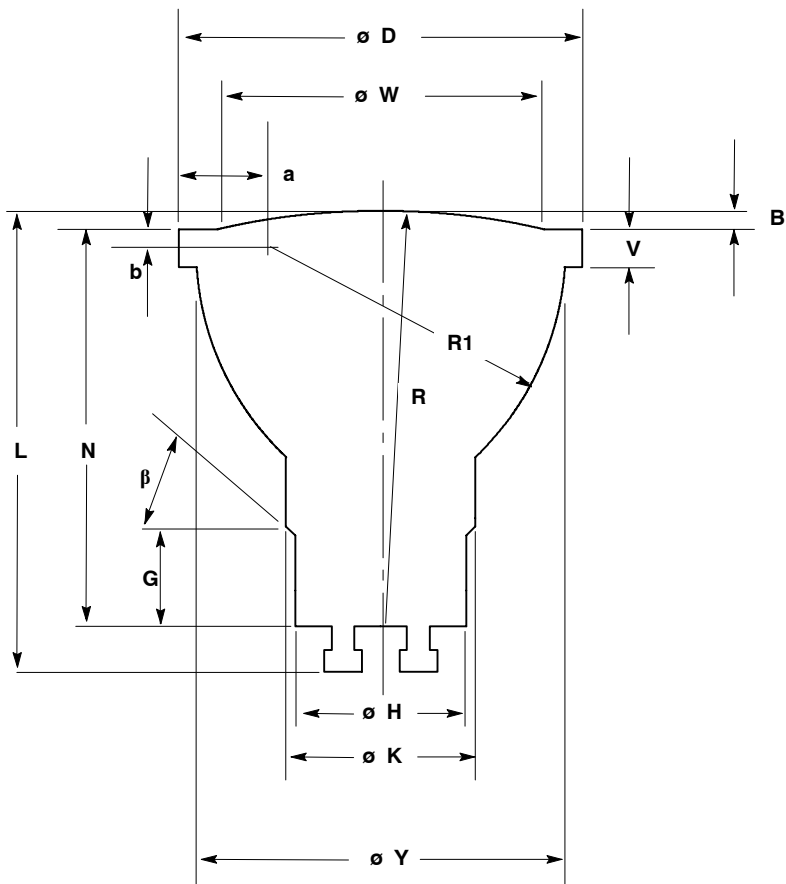


22 Watt

FLOOD



MAXIMUM LAMP OUTLINES BS ES50 :



B	1.5
D	53.3
H	22.6
G	12
K	25
L	62.5
N	53.6
R	95
R1	38
V	5
W	42.85
a	13.1
b	2.5
β	45°
Y	48.8