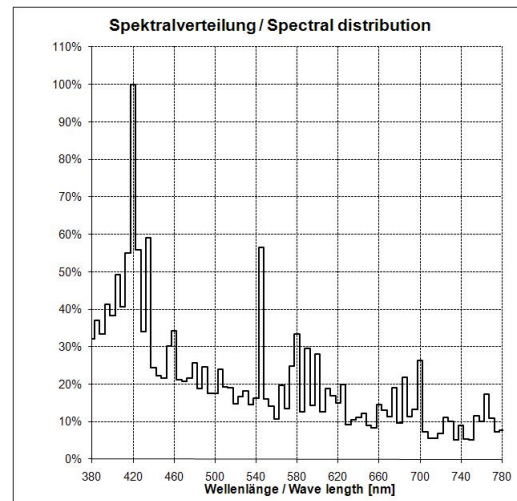
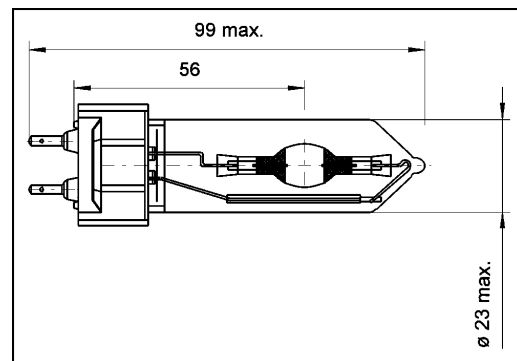
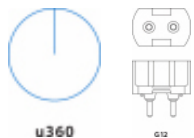


## Technical data:

Designation:	HIT 70 8800K G12 axial
Lamp wattage (nominal value):	70 W
Lamp wattage (rated value):	75 W
Lamp voltage:	95 V
Lamp current:	0,9 A
Ignition voltage:	4 kV
Luminous flux (nominal value):	3100 lm
Luminous efficiency:	41 lm/W
Colour temperature:	8800 K
Chromaticity coordinate x:	0.294
Chromaticity coordinate y:	0.3
Colour rendering:	>=90
Colour rendering index:	1A
Average life (nominal value):	6000 h
Diameter:	23 mm max.
Length L:	99 mm max.
LCL:	56 mm
Bulb form:	tubular
Bulb type:	clear
Base:	G12
Reliable burning position:	u360
Packing unit (pcs.):	10
UV-P:	Yes
ILCOS:	MT/UB-70/88/1A-H95/S-G12-23/99



## Advantages:

- Space saving design
- Economic due to long lifetime
- High colour stability over the entire lifetime
- UV protection (UV-P)
- Reduced fade effect on textiles and less embrittlement of plastics (UV-P)
- Axial arc (ability to produce uniform light beam)
- High light efficiency
- Relatively indifferent to temperature changes

## Application:

Application for interior and exterior accent lighting, e.g.:

- Open-plan offices
- Shop windows
- Hotels and restaurants
- Museums and galleries
- Swimming-pools